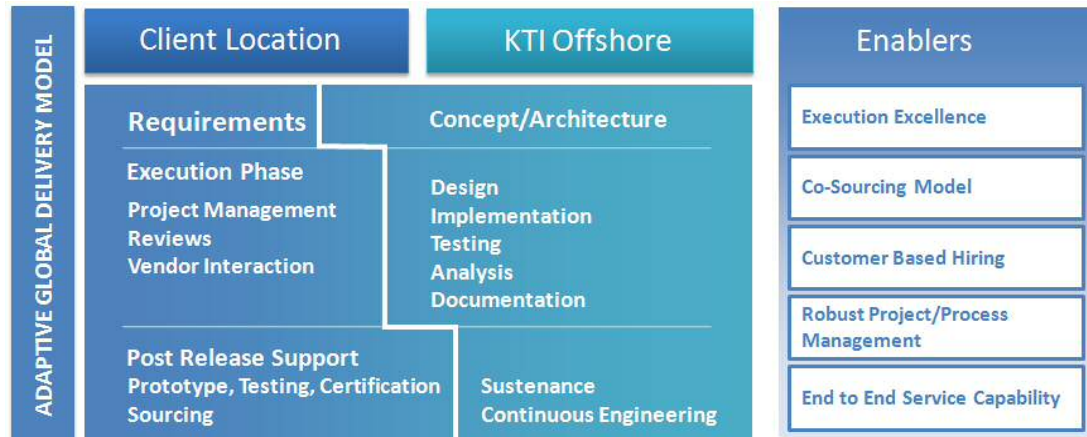


**COSOURCING & ADAPTIVE GLOBAL DELIVERY MODEL,**

As demand for growth intensifies while available resources continue to be depleted, product realization lifecycles continue to compress and get more complex. Kanchi Technologies with its portfolio of solutions and unique Adaptive Global Delivery Model (AGDM) like Cosourcing and execution methodologies that incorporate process improvements through Lean and Six Sigma can help with various aspects of product realization from discrete activities to the entire product realization process.

Our solutions and unique execution models offer substantial opportunities for you to reduce time and cost of bringing new products to market. While you focus on core strengths and differentiators, we take ownership of your projects and provide key value to make it successful. Kanchi Technologies enables customers to *Get more done, with less!*



**Engineering, Cosourcing & Consulting Services**

**India**  
 Kanchi Technologies  
 India Corporate office & Delivery center  
 #116, 1<sup>st</sup> Floor, EPIP, 1<sup>st</sup> Stage, KIADB,  
 Whitefield, Bangalore, India, 560066  
 Ph: +91. 80. 4130 3140 Office  
 Ph: +91. 80. 4130 3141 Office  
 email: sales@kanchitechnologies.com



**North America (Head Quarter)**  
 Kanchi Technologies  
 8668, W Marshfield CT  
 Franklin, WI, 53132, USA  
 Ph: +1.414.678.9015 Office  
 Ph: +1.414.433.9455 Sales  
 Fax: +1.480.287.931  
 www.KanchiTechnologies.com



# Execution Excellence

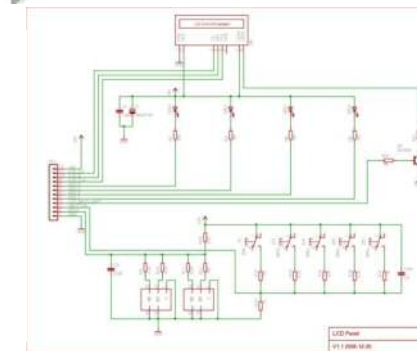
## ABLE PARTNER FOR MEETING YOUR BUSINESS NEEDS

We offer innovative design and engineering solutions, work closely with our customers across the world to help them meet the technical and business challenges posed in this demanding dynamic environment. We have optimized the use of resources and technology across the entire product realization lifecycle. We execute reliable, on-target services and solutions that give our clients a competitive technological advantage.

Positioned as a global Engineering Services Cosourcing partner, we offer highly specialized services and solutions at an affordable cost, over a reduced span of time, with fewer resources without compromising the integrity of the process or end result.



# flexible solutions for your business needs



### Solutions

Engineering Services

Mechatronics

Embedded Systems & Software

Manufacturing Engineering

Engineering IT

Global Operations Consulting

## ENGINEERING SERVICES

Our business model of Cosourcing helps our customers with all aspects of product development. We participate from collecting the "Voice of the end customer", Synthesizing the design inputs, Conceptualization, Feasibility engineering, Detail engineering, CAD, CAE, GD&T, Material selection, Design for Manufacturing, Design for Assembly, Error proofing (Poke-Yoke). Our offerings include,

- Design & development services.
- Design analysis with FEA techniques.
- Design support services.
- Application engineering services.
- Manufacturing engineering services.

## MECHATRONICS

Design, development and Testing services for hardware and selection and development of software with testing and validation services.

## EMBEDDED SYSTEMS

Our service offerings in Embedded systems include

- Complete product development.
- Hardware design.
- Firmware and Application Software development including GUI.
- Testing, Verification & Validation.
- Rapid prototyping.
- Product Life Cycle Management.

## CONSULTING SERVICES

We offer world class consultancy across the entire integrated product realization lifecycle. A unique power partner program enables us to bring in experts in addition to the core team. Our experts are able to provide solutions integrating business processes and technology as well as help execute a global delivery strategy.



This is complemented by a PMI/PMP certified Project Management team that focuses on providing project management using agile and standard techniques both at the customer site as well as at remote global delivery locations. We also offer Audit services by the same team for projects that you might be executing with other vendors in global locations, reducing your risk and cost of risk avoidance.

These solutions are provided by a passionate team that has gained experience from global Fortune 500 firms.



## APPLICATION ENGINEERING

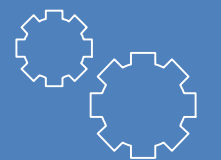
We offer application engineering services to Engineered to Order (ETO) or Configured to Order (CTO) product manufacturers and help reduce the time and cost of servicing their customers. In addition, our knowledge of processes and methodologies in this domain adds value for our customers.

Many a times customers also benefit from the rigorous process adherence and documentation such services bring to the engagement.



## ENGINEERING IT SOLUTIONS

- Customer Quote Management tools
  - Engineering Configurators
- Web based product configuration portals
  - Platform customization
  - Library creation for CAD tools
  - Legacy sustenance / porting
- Engineering and business systems Integration tools
- Custom applications requiring engineering domain knowledge
  - Engineering applications on Mobile devices



## MANUFACTURING ENGINEERING SOLUTIONS

As part of end to end product realization service portfolio, we offer digital simulation, jigs & fixture design, mold design & prototyping services. Our Lean Manufacturing, Six Sigma certified consultants offer Consulting solutions on time and motion studies, process redesign, FMEA services.

